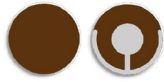


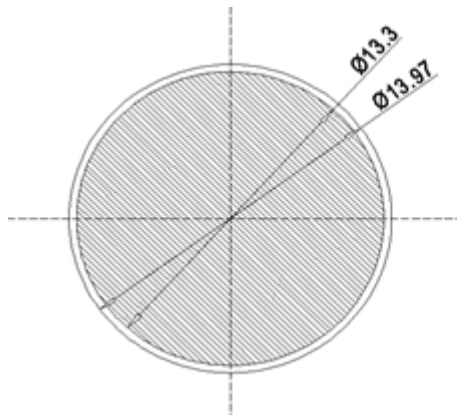
Specification	AXQCM504A	Rev.: 1	Date: 2020-10-04
---------------	-----------	---------	------------------



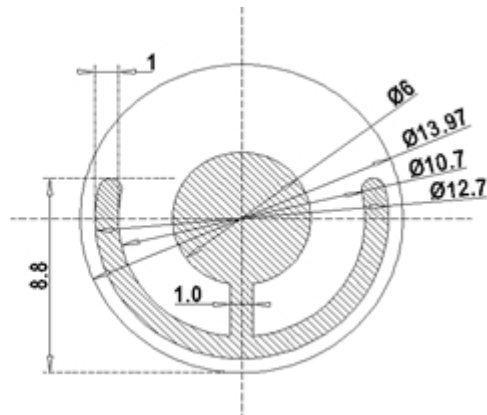
Quartz Crystal Microbalance Element (Monitor Crystal)

Parameter	min.	typ.	max.	Unit	Condition
Nominal frequency	5.000			MHz	
Adjustment frequency	4.960			MHz	
Crystal cut	AT				35°15'±1'
Overtone	1				
Frequency tolerance	-7		+7	kHz	
Frequency stability					
Over operating temperature range	-50		+50	ppm	
Resonance resistance R _r			50	Ω	
Motional capacitance C ₁				fF	
Shunt capacitance C ₀			20	pF	
Drive level		100		μW	
Operating temperature range	+60	+70	+80	°C	
Storage temperature range	-40		+105	°C	
QCM diameter	13.97 +0/-0.03			mm	Plano-convex
Convex radius R	210			mm	
Blank surface quality	Fine lapped				R _a = 0.8 ~ 1.6 μm
Electrode diameter Side A	13.3 ± 0.1			mm	Fully plated
Electrode material Side A	Ti				
Electrode diameter Side B	6.0			mm	See drawing
Electrode material Side B	Cr-Ag				

Side A (Plane)



Side B (Convex)



Ordering Code:

Model (Specification)	Revision	Frequency [MHz]
AXQCM504A	1	4.960

Revision History

Rev.	Drawing	Date [dd.mm.yyyy]	Remarks	Author	Checked
1	D0	04.10.2020	First issue AXQCM504A	BN	BN