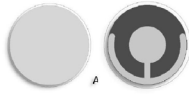


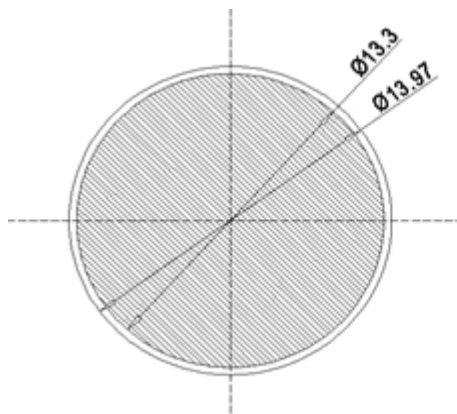
Specification	AXQCM508A	Rev.: 1	Date: 2020-10-04
---------------	-----------	---------	------------------

## Quartz Crystal Microbalance Element (Monitor Crystal)

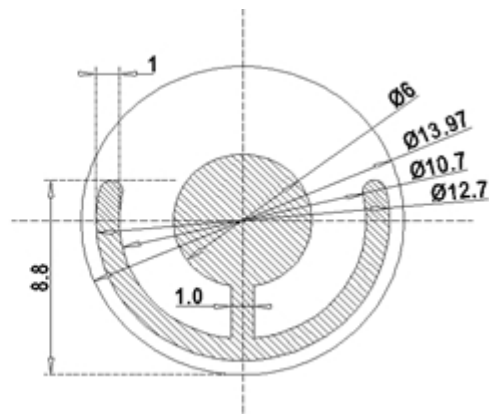


Parameter	min.	typ.	max.	Unit	Condition
Nominal frequency		5.000		MHz	
Adjustment frequency		4.967		MHz	
Crystal cut		AT			35°15'±1'
Overtone		1			
Frequency tolerance	-7		+7	kHz	
Frequency stability					
Over operating temperature range	-50		+50	ppm	
Resonance resistance R <sub>r</sub>			15	Ω	
Motional capacitance C <sub>1</sub>				fF	
Shunt capacitance C <sub>0</sub>			20	pF	
Drive level		100		μW	
Operating temperature range	+60	+70	+80	°C	
Storage temperature range	-40		+105	°C	
QCM diameter		13.97 +0/-0.03		mm	Plano-Convex
Convex radius		210		mm	
Blank surface quality		Fine lapped			R <sub>a</sub> = 0.8 ~ 1.6 μm
Electrode diameter Side A		13.3 ± 0.1		mm	Fully plated
Electrode material Side A		Ni-Ag			
Electrode diameter Side B		6.0 ± 0.1		mm	See drawing
Electrode material Side B		Ni-Ag			

Side A (Plane)



Side B (Convex)



### Ordering Code:

Model (Specification)	Revision	Frequency [MHz]
AXQCM508A	1	4.967

**Revision History**

Rev.	Drawing	Date [dd.mm.yyyy]	Remarks	Author	Checked
1	D0	04.10.2020	First issue AXQCM508A	BN	BN