

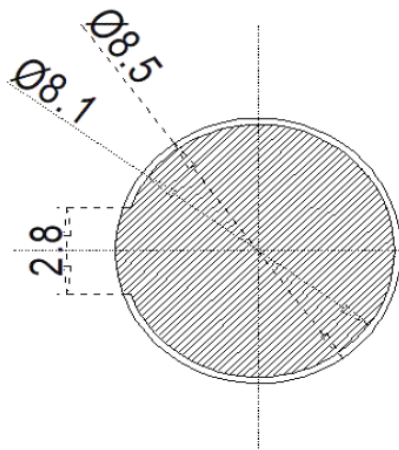
Specification	AXQCS1013A	Rev.: 1	Date: 2020-10-22
---------------	------------	---------	------------------

## Quartz Crystal Sensor Element

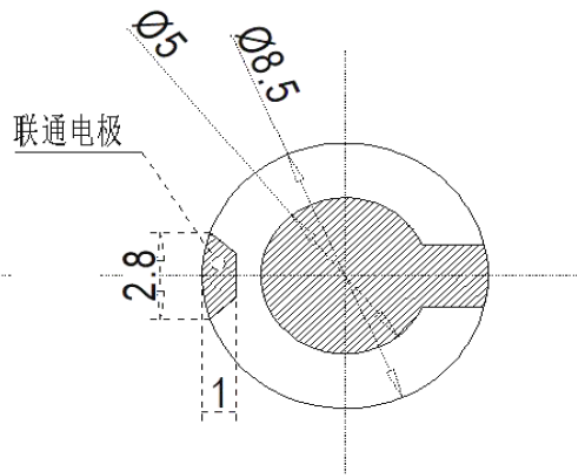


Parameter	min.	typ.	max.	Unit	Condition
Nominal frequency	10.000			MHz	
Adjustment frequency	10.000			MHz	
Crystal cut	AT				35°15'±2'
Overtone	1				
Frequency tolerance	-20		+20	kHz	
Frequency stability					
Over operating temperature range	-50		+50	ppm	
Resonance resistance R <sub>r</sub>			15	Ω	
Motional capacitance C <sub>1</sub>				fF	
Shunt capacitance C <sub>0</sub>			20	pF	
Drive level		100		μW	
Operating temperature range	+60	+70	+80	°C	
Storage temperature range	-40		+105	°C	
QCM diameter	8.5 +0/-0.03			mm	Plano-plano
Blank surface quality	Polished				R <sub>a</sub> = 0.012 ~ 0.05 μm
Electrode diameter Side A	8.1			mm	wrapped around
Electrode material Side A	Ti-Au				
Electrode diameter Side B	5.0			mm	Key hole
Electrode material Side B	Ti-Au				

Side A (Plane)



Side B (Plane)



### Ordering Code:

Model (Specification)	Revision	Frequency [MHz]
AXQCS1013A	1	10.000

**Revision History**

Rev.	Drawing	Date [dd.mm.yyyy]	Remarks	Author	Checked
1	D0	22.10.2020	First issue AXQCS1013A	BN	BN