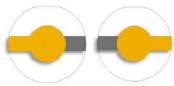


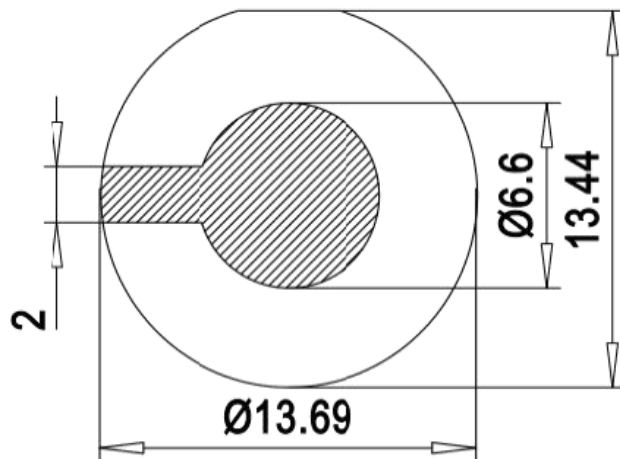
Specification	AXQCS301A	Rev.: 1	Date: 2020-11-01
---------------	-----------	---------	------------------



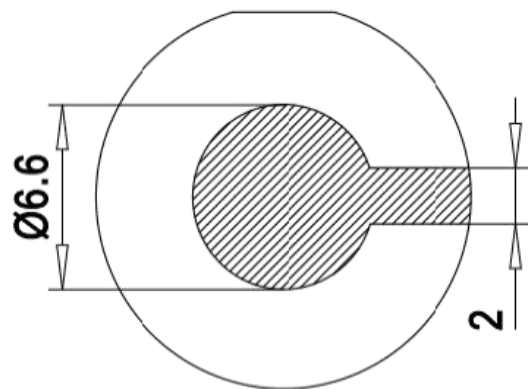
Quartz Crystal Sensor Element

Parameter	min.	typ.	max.	Unit	Condition
Nominal frequency		3.000		MHz	
Adjustment frequency		3.000		MHz	
Crystal cut		AT			35°15'±2'
Overtone		1			
Frequency tolerance	-5		+5	kHz	
Frequency stability					
Over operating temperature range	-50		+50	ppm	
Resonance resistance R_r			30	Ω	
Motional capacitance C_1				fF	
Shunt capacitance C_0			20	pF	
Drive level		100		μ W	
Operating temperature range	+60	+70	+80	°C	
Storage temperature range	-40		+105	°C	
QCM diameter	13.69x13.44 +0/-0.03			mm	Plano-plano
Blank surface quality	Polished				$R_a = 0.012 \sim 0.05 \mu\text{m}$
Electrode diameter Side A	6.6			mm	Key hole
Electrode material Side A	Ti-Au				
Electrode diameter Side B	6.6			mm	Key hole
Electrode material Side B	Ti-Au				

Side A (Plane)



Side B (Plane)



Ordering Code:

Model (Specification)	Revision	Frequency [MHz]
AXQCS301A	1	3.000

Revision History

Rev.	Drawing	Date [dd.mm.yyyy]	Remarks	Author	Checked
1	D0	01.11.2020	First issue AXQCS301A	BN	BN