

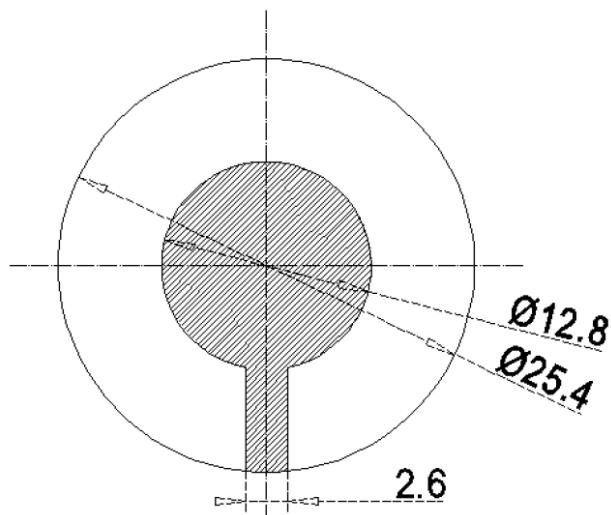
| | | | |
|---------------|-----------|---------|------------------|
| Specification | AXQCS503A | Rev.: 1 | Date: 2021-02-12 |
|---------------|-----------|---------|------------------|

Quartz Crystal Sensor Element

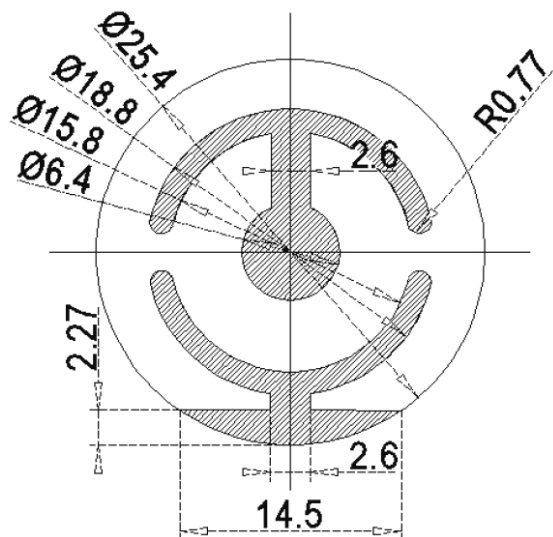


| Parameter | min. | typ. | max. | Unit | Condition |
|-------------------------------------|------|---------------|------|------|----------------------------------|
| Nominal frequency | | 5.000 | | MHz | |
| Adjustment frequency | | 5.000 | | MHz | |
| Crystal cut | | AT | | | 35°15'±2' |
| Overtone | | 1 | | | |
| Frequency tolerance | -7 | | +7 | kHz | |
| Frequency stability | | | | | |
| Over operating temperature range | -50 | | +50 | ppm | |
| Resonance resistance R _r | | | 20 | Ω | |
| Motional capacitance C ₁ | | | | fF | |
| Shunt capacitance C ₀ | | | 20 | pF | |
| Drive level | | 100 | | μW | |
| Operating temperature range | +60 | +70 | +80 | °C | |
| Storage temperature range | -40 | | +105 | °C | |
| QCM diameter | | 25.4 +0/-0.03 | | mm | Plano-plano with bevel |
| Blank surface quality | | Polished | | | R _a = 0.012 ~ 0.05 μm |
| Electrode diameter Side A | | 12.8 | | mm | Key hole, wrapped around |
| Electrode material Side A | | Cr-Au | | | |
| Electrode diameter Side B | | 6.4 | | mm | anchor |
| Electrode material Side B | | Cr-Au | | | |

Side A (Plane)



Side B (Plane)



Ordering Code:

| Model (Specification) | Revision | Frequency [MHz] |
|-----------------------|----------|-----------------|
| AXQCS503A | 1 | 5.000 |

Revision History

| Rev. | Drawing | Date [dd.mm.yyyy] | Remarks | Author | Checked |
|------|---------|----------------------|-----------------------|--------|---------|
| 1 | D0 | 12.02.2021 | First issue AXQCS503A | BN | BN |