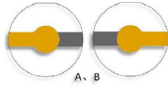


Specification	AXQCS801B	Rev.: 1	Date: 2021-06-19
---------------	-----------	---------	------------------

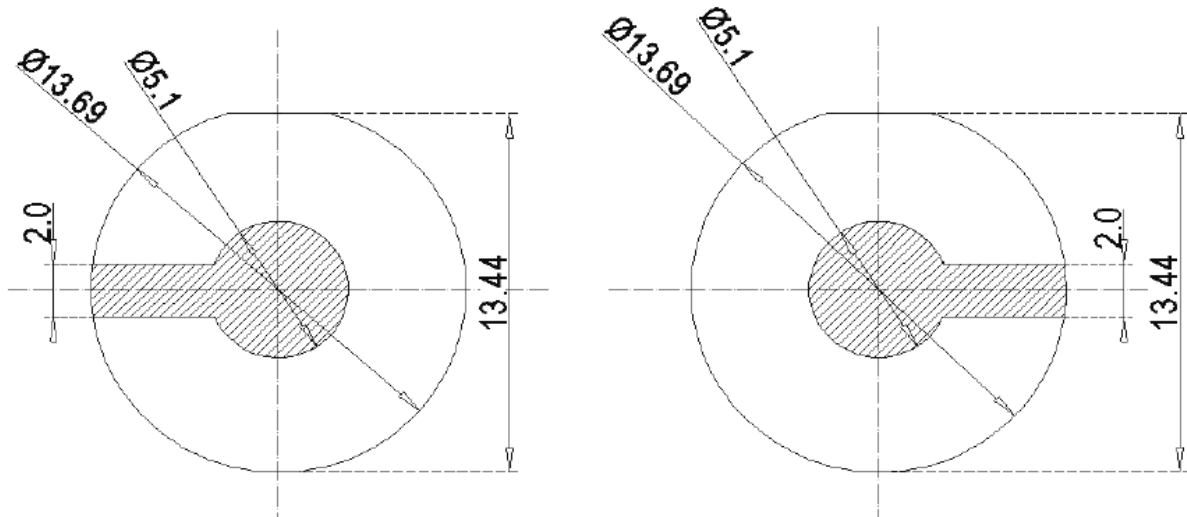
Quartz Crystal Sensor Element



Parameter	min.	typ.	max.	Unit	Condition
Nominal frequency		8.000		MHz	
Adjustment frequency		8.000		MHz	
Crystal cut		AT			35°15'±2'
Overtone		1			
Frequency tolerance	-20		+20	kHz	
Frequency stability					
Over operating temperature range	-50		+50	ppm	
Resonance resistance R _r			30	Ω	
Motional capacitance C ₁				fF	
Shunt capacitance C ₀			15	pF	
Drive level		100		μW	
Operating temperature range	+60	+70	+80	°C	
Storage temperature range	-40		+105	°C	
QCM diameter	Φ13.69 +0/-0.03			mm	Plano-plano with flat
Blank surface quality	polished				R _a = 0.012 ~ 0.05 μm
Electrode diameter Side A	5.1			mm	Key hole
Electrode material Side A	Cr-Au				
Electrode diameter Side B	5.1			mm	Key hole
Electrode material Side B	Cr-Au				

Side A (Plane)

Side B (Plane)



Ordering Code:

Model (Specification)	Revision	Frequency [MHz]
AXQCS801B	1	8.000

Revision History

Rev.	Drawing	Date [dd.mm.yyyy]	Remarks	Author	Checked
1	D0	19.06.2021	First issue AXQCS801B	BN	BN